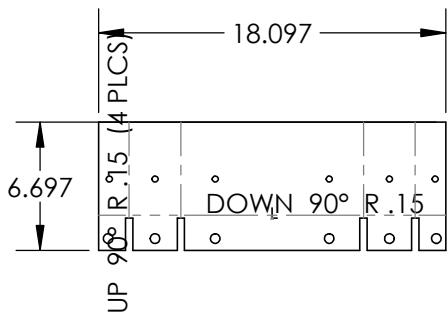
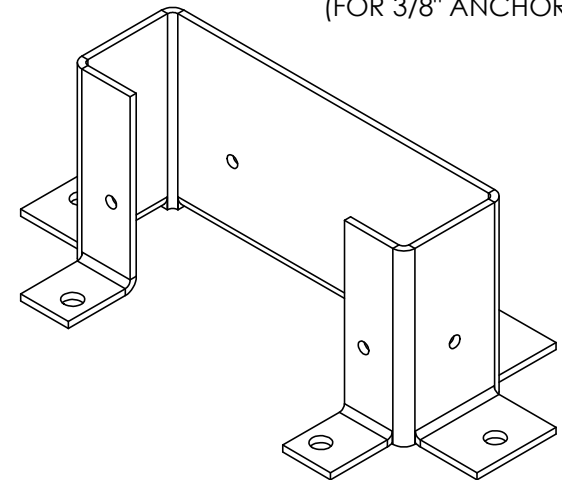
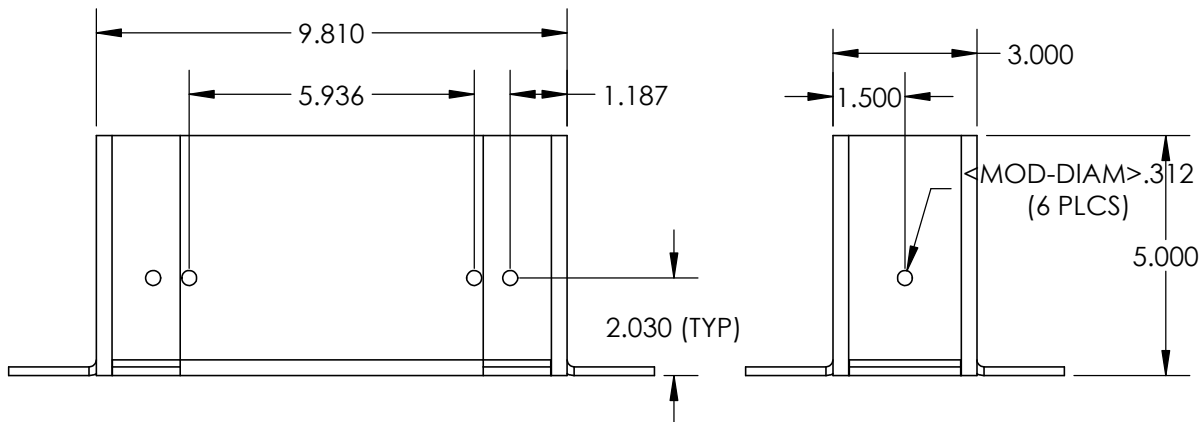
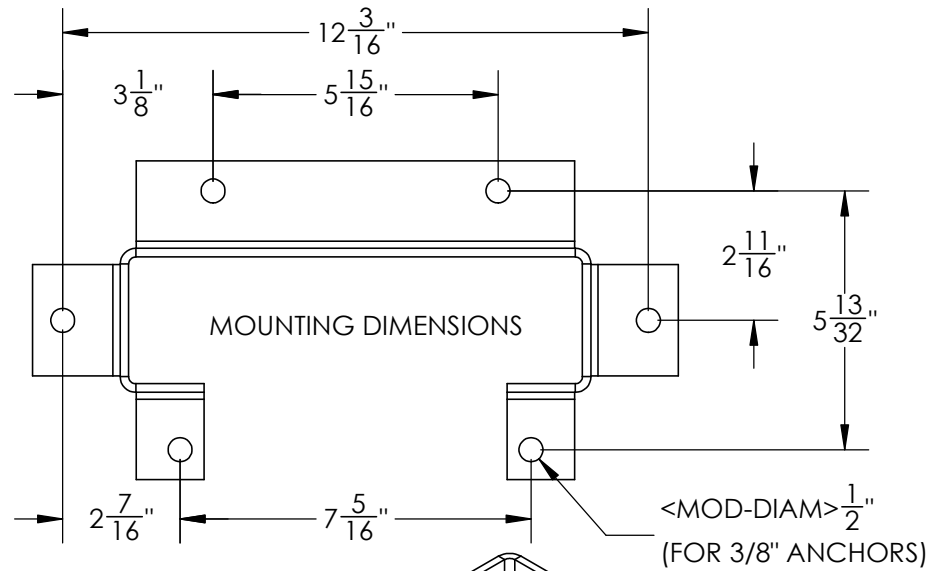
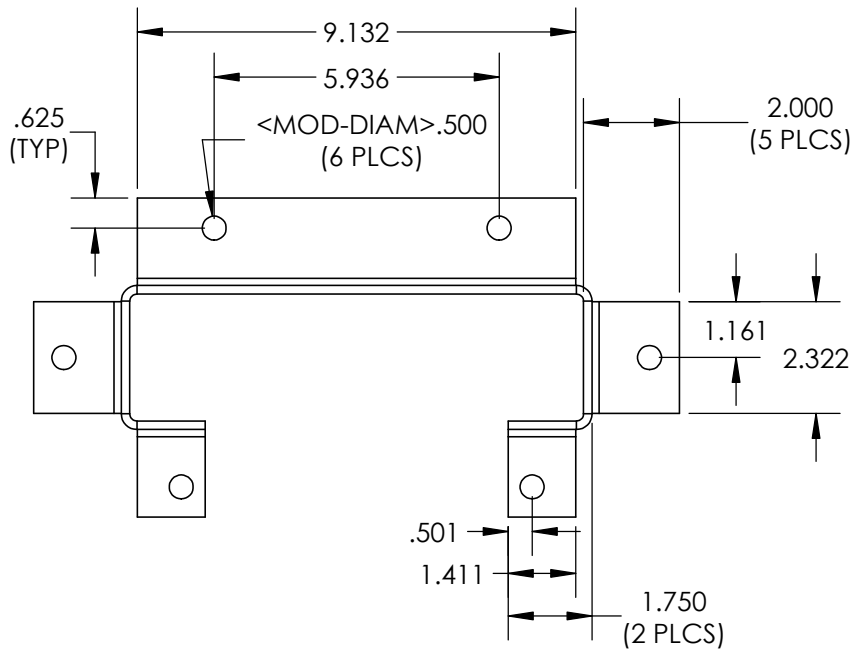


REVISIONS			
REV.	DESCRIPTION	DATE	INITIALS
B	TOOL CHANGE & BENT DRAWINGS	4/4/22	PM
C	FULLY DIMENSIONED DRAWING, ADDED MOUNTING DIMENSIONS VIEW	12/15/22	MM



**JAMESTOWN  
ADVANCED  
PRODUCTS**

**PROPRIETARY AND CONFIDENTIAL**  
THE INFORMATION CONTAINED IN THIS DRAWING IS THE SOLE PROPERTY OF JAMESTOWN ADVANCED PRODUCTS. ANY REPRODUCTION IN PART OR AS A WHOLE WITHOUT THE WRITTEN PERMISSION OF JAMESTOWN ADVANCED PRODUCTS IS PROHIBITED.

UNLESS OTHERWISE SPECIFIED:

DIMENSIONS ARE IN INCHES  
TOLERANCES:  
FRACTIONAL 1/16  
ANGULAR: BEND 1 DEGREE  
TWO PLACE DECIMAL .03  
THREE PLACE DECIMAL .005

INTERPRET GEOMETRIC TOLERANCING  
PER: ASME Y14.5-2009

MATERIAL  
7 GA. HRPO

	NAME	DATE
DRAWN	PM	4/4/22
CHECKED		
ENG APPR.		

COMMENTS:  
  
BLANK WIDTH: 6.6734  
BLANK LENGTH: 18.096

CUSTOMER: JPOW		
TITLE: <b>PAD MOUNT BRACKET EV</b>		
SIZE <b>A</b>	DWG. NO. 11451-002	REV <b>B</b>
SCALE: 1:4	WEIGHT: 5.94	SHEET 1 OF 1