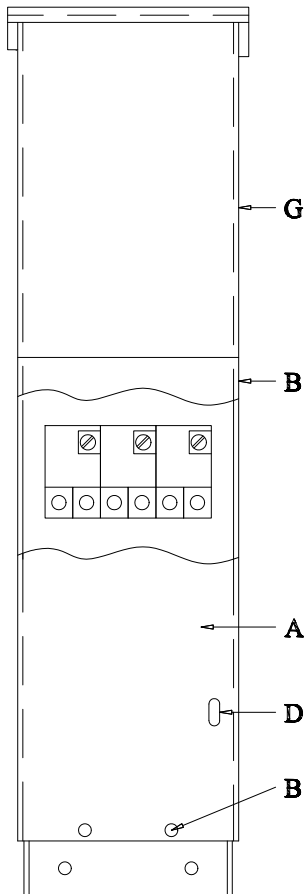


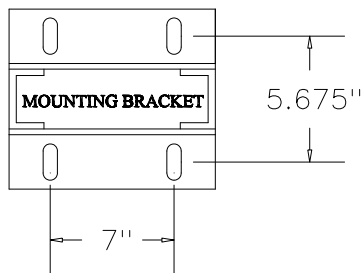
INSTALLATION INSTRUCTIONS FOR PAD MOUNTED POST



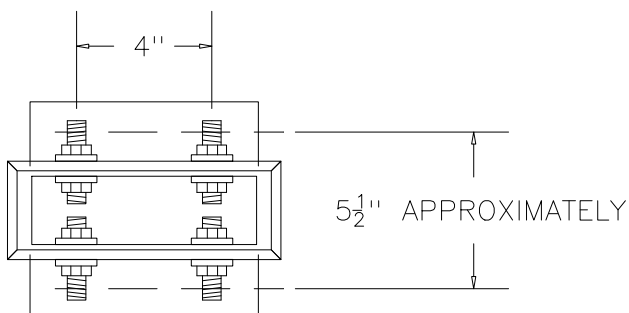
EASY INSTALLATION INSTRUCTIONS

1. Remove cover "A" by removing (4) screws "B". Slide cover slightly towards bottom of post (allowing top of cover to clear top retaining bracket) and pull cover away from post.
2. Remove bag parts/mounting brackets from post assembly. Bag part contents:
 - (2) mounting brackets ("L" shaped)
 - (4) 3/8"-24 X 3/4" hex head screws
 - (4) 3/8" nuts
 - (8) 3/8" flat washers
3. Location "G" - When load conductors exit the bottom of the post, remove the small horizontal barrier and rotate 90° to form a vertical barrier inside the post. Reassemble using the same screw and mounting hole. When load conductors exit K.O. use suitable conduit connector for outdoor applications.
4. Install (2) mounting brackets on inside of post with screws, nuts, and washers described above (see diagram). NOTE: Use flat washers on inside and outside of post to protect paint finish.
5. Attach post to pad using bolt pattern dimensions shown in diagram - installation requires (4) 3/8" minimum bolts and washers which are not supplied.)
6. Lay wires in and attach to terminal bar. (see wiring diagram in post through for torque and wire size information.)
7. Place cover "A" back on post and fasten with (4) mounting screws "B" Lock or seal at "D".
8. For added sealing options, order: SLKT1 (sealing screw kit)

9" POST



6" POST



FOR INSTALLATION OF TELEPHONE AND/OR TELEVISION OUTLETS, USE TTV BRACKET (NOT INCLUDED - ORDER SEPARATELY)

CAUTION PROCEDURE FOR ALL ALUMINUM TERMINATIONS

The following procedure is recommended when connecting aluminum wire.

1. Strip the insulation, being careful not to nick the wire.
2. Wire brush the conductor strands.
3. Thoroughly coat the striped conductor with a suitable anti-oxidant compound such as alnox or penetrox A13.
4. Insert conductor and tighten connector (see wiring diagram in post through for torque and wire size information).



MIDWEST ELECTRIC PRODUCTS INC.
Hwy. 22N. PO Box 910, Mankato, MN 56002-0910