

INSTALLATION INSTRUCTIONS FOR EARTH MOUNTED POST

EASY INSTALLATION INSTRUCTIONS

1. Remove cover "A" by removing (4) screws "B". Slide cover slightly towards bottom of post (allowing top of cover to clear top retaining bracket) and pull cover away from post.
2. Remove cover "D" by removing (4) screws "E". Pull cover away from post.
3. Location "G" – When load conductors exit the bottom of the post, remove the small horizontal barrier and rotate 90° to form a vertical barrier inside the post. Re-assemble using the same screw and mounting hole.

When load conductors exit K.O., use suitable conduit connector for outdoor applications.

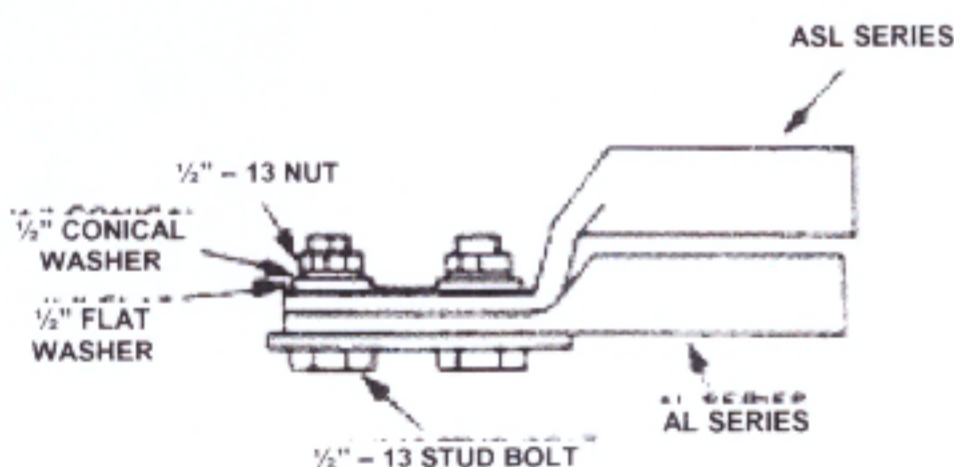
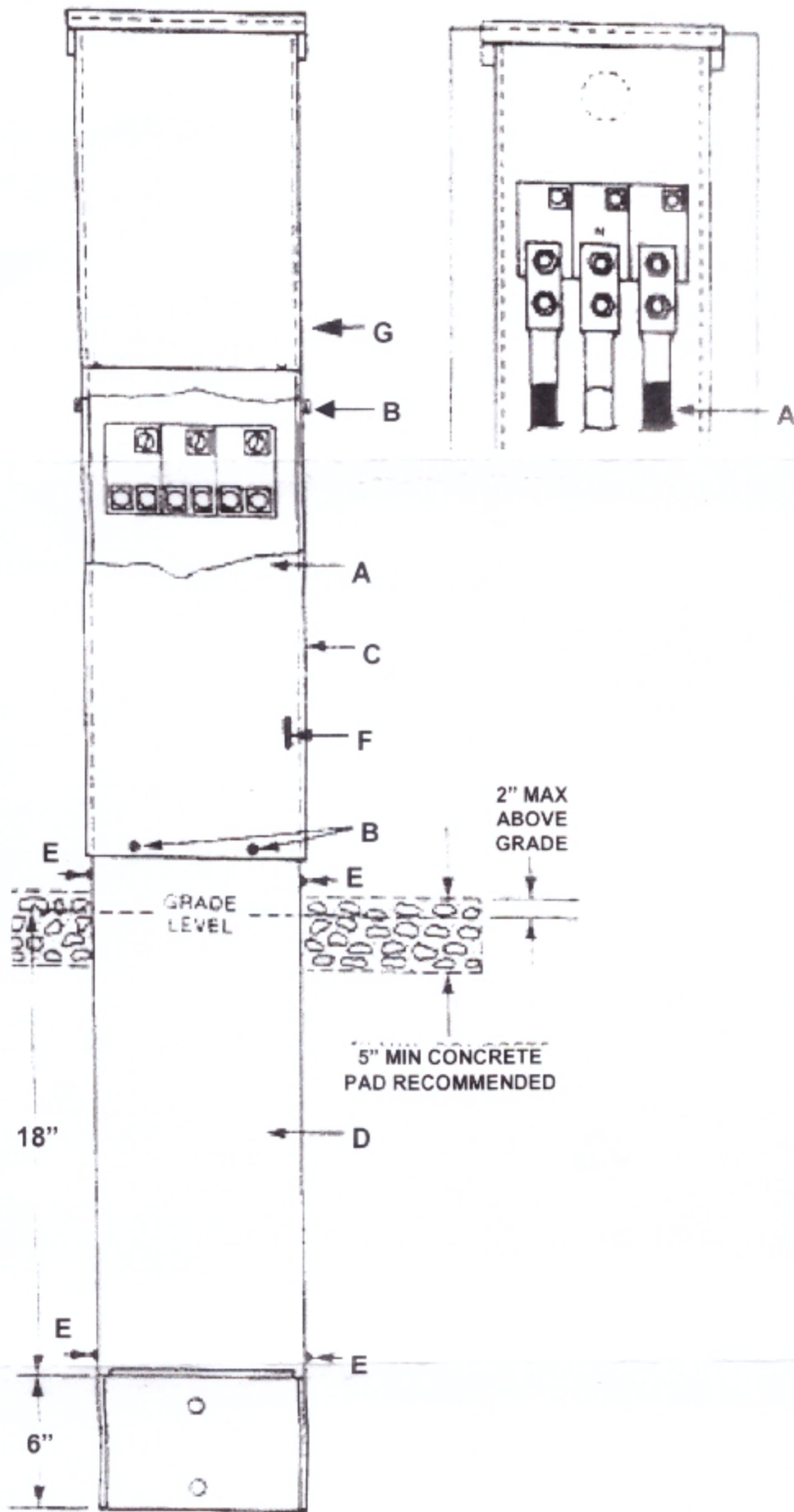
4. Noting diagram, properly position post, ensuring bottom of post is 24 inches below grade level.
5. Lay wires in and attach to terminal bar. (See wiring diagram in post trough for torque and wire size information.)
6. Replace cover "D" on post and fasten with (4) screws "E".
7. Replace cover "A" on post and fasten with (4) screws "B".
8. To padlock or seal cover "A", utilize hasp "F".
9. A concrete pad is recommended in some areas to strengthen installation. Pad should be approximately 18" x 18" and 5" minimum thickness. Ensure pad does not extend more than 2" above grade to allow future removal of cover "A".

FOR INSTALLATION OF TELEPHONE AND/OR TELEVISION OUTLETS, USE TTV BRACKET (NOT INCLUDED – ORDER SEPARATELY)

CAUTION PROCEDURE FOR ALL ALUMINUM TERMINATIONS

The following procedure is recommended when connecting aluminum wire.

1. Strip the insulation, being careful not to nick the wire.
2. Wire brush the conductor strands.
3. Thoroughly coat the stripped conductor with a suitable anti-oxidant compound such as alnox or penetrox A13.
4. Insert conductor and tighten connector (See wiring diagram in post trough for torque and wire size information.)



USE HOMAC COMPRESSION CONNECTORS OR EQUIVALENT

CATALOG NO'S: AL SERIES (ALUMINUM)
ASL SERIES (ALUM. STACKING)

FOR LOOPFEED USE STACKING CONNECTORS



MIDWEST ELECTRIC PRODUCTS